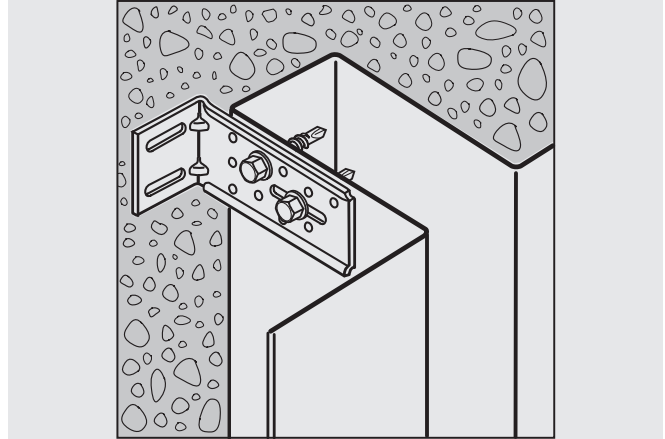


#10-16 SD2 Bi-Met 300[®] Subframe Attachment



Features and Benefits

- Bi-metal fastener design allows for higher drilling capacity while maintaining the corrosion resistance properties of stainless steel
- Silver VistaCoat[®] provides a barrier to help prevent galvanic corrosion when used with aluminum
- High ductility reduces delayed embrittlement failures

Application

- Light and medium gauge metal connections
- Curtain wall and building envelope attachments
- Dissimilar metal connections
- Low hex washer head for ACM/MCM framing

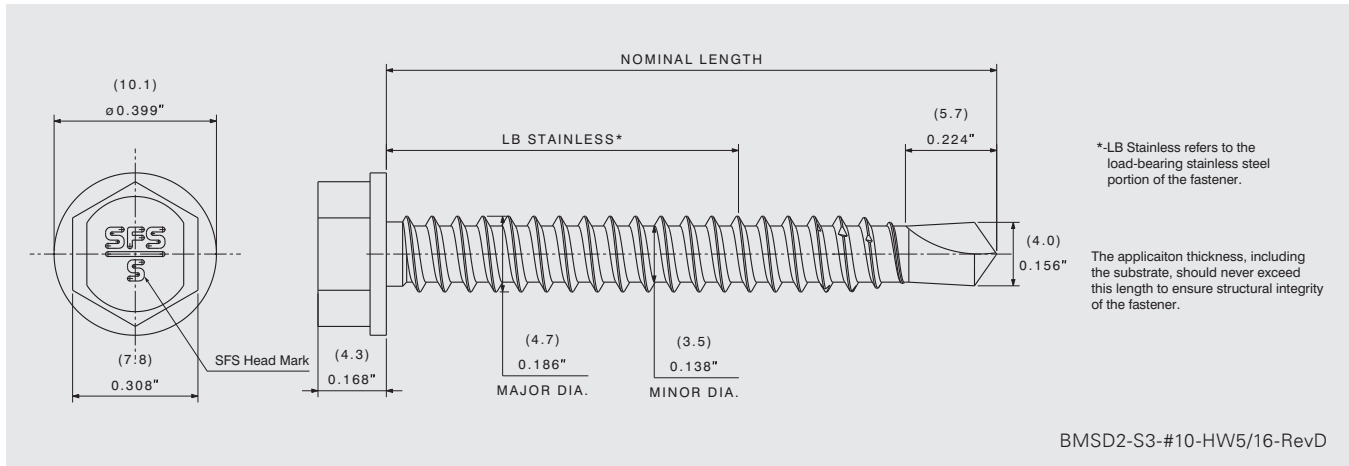
Product Selection

Material No.	Fastener Length		Load Bearing Length		Description	Carton Wt. (lbs.)	Carton Qty.
	(in)	(mm)	(in)	(mm)			
1702003	3/4"	19	0.35"	9	BMSD2-S3-#10x3/4-HW5/16-F	31	5,000
1702004	1"	25	0.60"	15	BMSD2-S3-#10x1-HW5/16-F	35	5,000
1702005	1-1/2"	38	1.10"	28	BMSD2-S3-#10x1-1/2-HW5/16-F	26	2,500

Product bagged 250 pieces, unless otherwise noted.



#10-16 SD2 Bi-Met 300[®] Subframe Attachment



Product Specifications

Diameter: #10 (4.95 mm)
 Threads Per Inch: 16
 Head Style: HWH 5/16" (7.8 mm) AF
 Material: 304SS

Drill Point: SD2
 Drill Capacity: 0.105" (2.7 mm) Max Steel
 Thread Major Dia: 0.186" (4.7 mm)
 Thread Minor Dia: 0.138" (3.5 mm)

Performance Data^{1,2}

Material Strength

Tensile	1769 lbf / 7869 N
Shear	1332 lbf / 5925 N
Torsional*	49 lbf·in / 5.5 N·m

Pull Out Strength Steel

20 Ga (0.9 mm)	283 lbf / 1208 N
18 Ga (1.2 mm)	513 lbf / 2282 N
16 Ga (1.5 mm)	601 lbf / 2673 N
14 Ga (1.9 mm)	872 lbf / 3872 N
12 Ga (2.7 mm)	1449 lbf / 5445 N

* Torsional values for Stainless Steel section only.

¹ PLK 22217

² All values are ultimate, with no safety factor applied.

Installation and Application Considerations

Install fasteners with 0–2000 RPM screw driver equipped with depth sensing nose piece.

Use of impact guns or hammer drills is not recommended.

US
 T 800 234 4533
 us.sfs.com

Canada
 T 866 847 5400
 ca.sfs.com

Metric values are approximate conversions.

All information is non-binding and without guarantee. Before using the products, all specifications and calculations must be checked by a suitably qualified person and local regulations must be observed. This document is subject to revision. We reserve the right to make technical changes. (11/2021, V1.01)