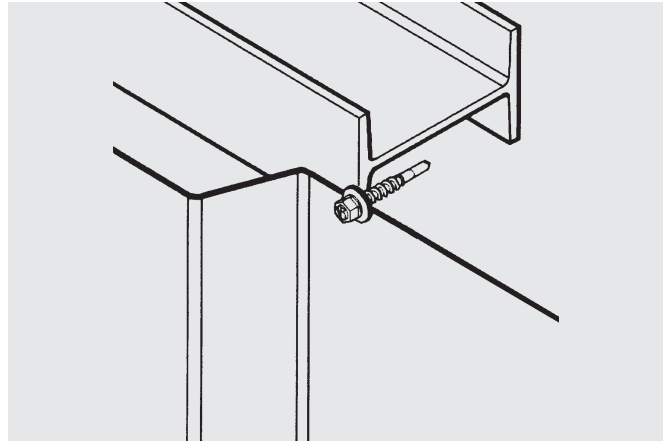


# SX14 Hex Bi-Met 300™ Metal to Metal



## Features and Benefits

- Corrosion resistant 300 series stainless
- Delivers ultimate performance in medium gauge applications
- Precision cold forged carbon steel point assures point strength and fast drilling performance through high strength steel and nested purlins
- Available with no sealing washer or stainless bond seal washer
- Color matched Vista spray available

## Application

- Medium and heavy gauge metal connections
- Dissimilar metal connections

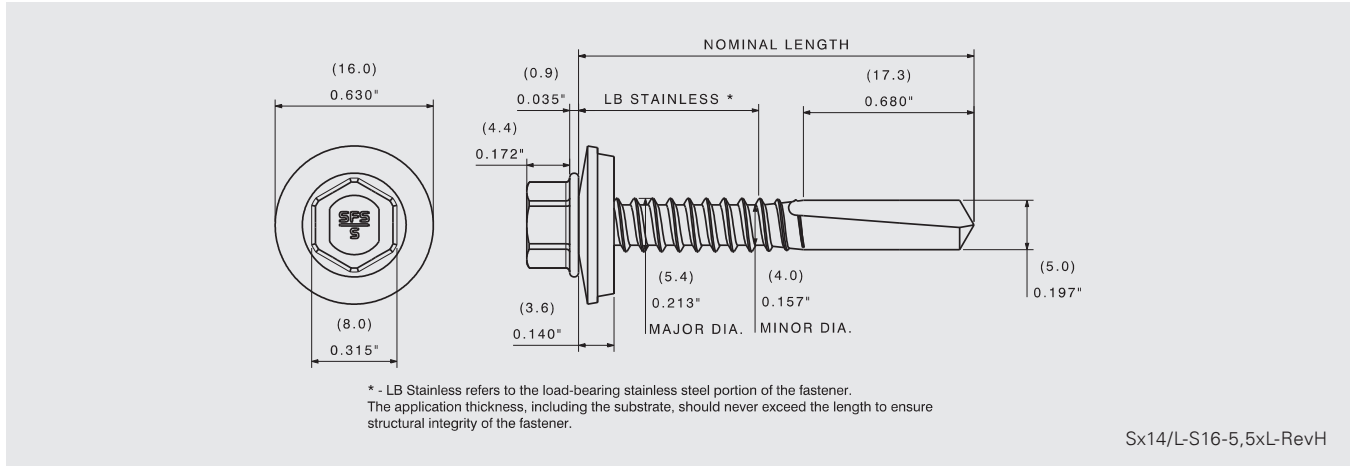
## Product Selection

Material No.	Fastener Length		Load Bearing Length		Description	Carton Wt. (lbs.)	Carton Qty.
	(in)	(mm)	(in)	(mm)			
770785	1-9/16"	40	0.47"	12	SX14/12-S16-5,5x40	9	500
773625	1-7/8"	48	0.78"	20	SX14/20-S16-5,5x48	10	500
770805	2-1/2"	66	1.50"	38	SX14/38-S16-5,5x66	6	250
523277	3-1/4"	86	2.25"	58	SX14/58-S16-5,5x86	8	250

Dimensions in inches are approximate conversions.



# SX14 Hex Bi-Met 300™ Metal to Metal



## Product Specifications

Diameter:	Nominal #12 (5.4 mm)	Material:	304SS
Threads Per Inch:	14	Drill Point:	SD5
Head Style:	5/16" dia HWH AFL (8.0 mm)	Drill Capacity:	0.157"–0.550" (4.0 mm–14.0 mm)
Washer:	5/8" stainless and EPDM bond seal (16 mm)	Thread Major Dia:	0.213" (5.4 mm)
		Thread Minor Dia:	0.157" (4.0 mm)

## Performance Data<sup>1,2</sup>

Material Strength		Pull Out Strength Steel		Pull Over Strength Steel	
Tensile	2784 lbf / 12383 N	<b>3/16" (4.7 mm)</b>	1596 lbf / 7102 N	<b>26 Ga (0.5 mm)</b>	1141 lbf / 5075 N
Shear	2110 lbf / 9385 N	<b>1/4" (6.4 mm)</b>	Exceeds tensile	<b>24 Ga (0.6 mm)</b>	1420 lbf / 6316 N
Torsional	70 lbf-in / 7.9 N-m	<b>3/8" (9.5 mm)</b>	Exceeds tensile		

<sup>1</sup> ETA-10/0198

<sup>2</sup> SFS 5625.19

## Installation and Application Considerations

Fasteners should provide for a minimum of 3 fully developed threads through the metal substrates.

Tools: 0–2000 rpm screw gun equipped with depth sensing nose piece

**Use of impact guns or hammer drills is not recommended.**