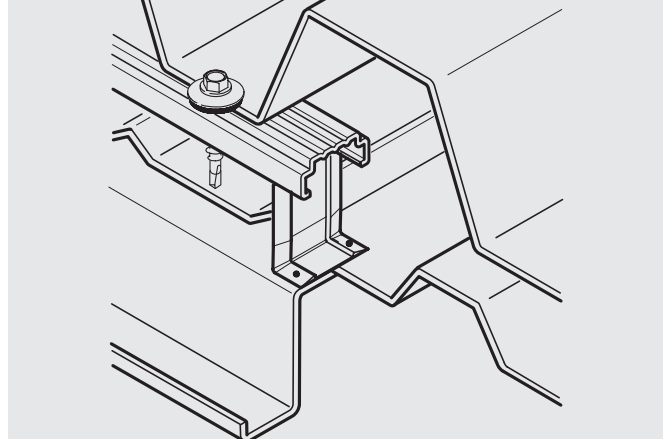


SX3 Hex Bi-Met 300™ Metal to Metal



Features and Benefits

- Corrosion resistant 300 series stainless
- Delivers ultimate performance in medium gauge applications
- Precision cold forged carbon steel point assures point strength and fast drilling performance through high strength steel and nested purlins
- Available with no sealing washer or stainless bond seal washer
- Color matched Vista spray available

Application

- Light and medium gauge metal connections
- Dissimilar metal connections

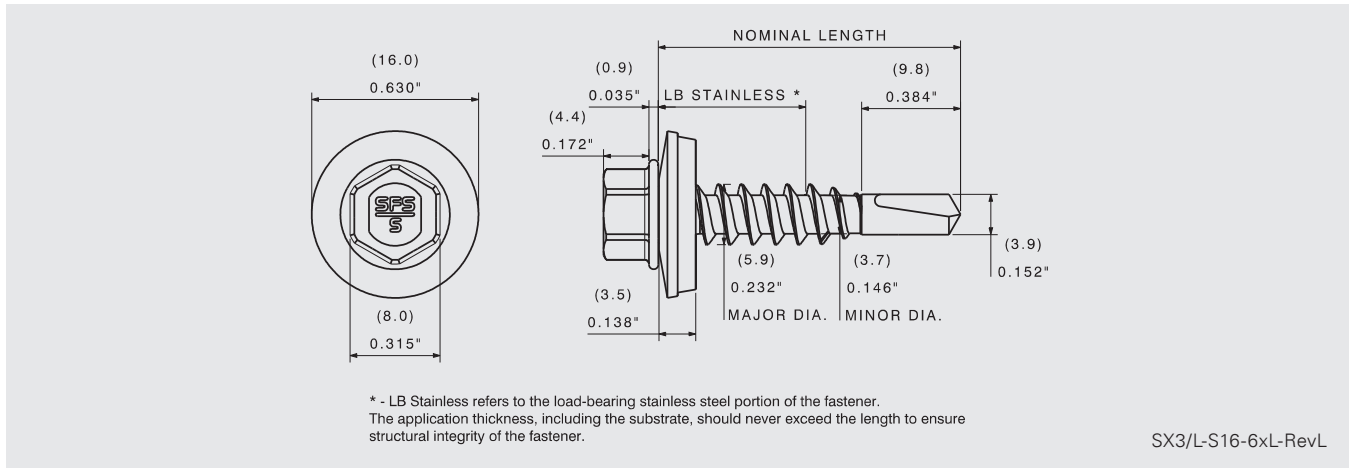
Product Selection

Material No.	Fastener Length		Load Bearing Length		Description	Carton Wt. (lbs.)	Carton Qty.
	(in)	(mm)	(in)	(mm)			
1141978	1-1/8"	29	0.47"	9	SX3/9-S16-6x29	8	500
1133237	1-1/2"	40	0.59"	15	SX3/15-S16-6x40	9	500
1133239	2"	51	0.78"	20	SX3/20-S16-6x50	10	500

Dimensions in inches are approximate conversions.



SX3 Hex Bi-Met 300™ Metal to Metal



Product Specifications

Diameter:	Nominal #14 (5.9 mm)	Material:	304SS
Threads Per Inch:	11	Drill Point:	SD2
Head Style:	5/16" dia HWH AFL (8.0 mm)	Drill Capacity:	0.035"–0.098" (0.9 mm–2.5 mm)
Washer:	5/8" stainless and EPDM bond seal (16 mm)	Thread Major Dia:	0.232" (5.9 mm)
		Thread Minor Dia:	0.146" (3.7 mm)

Performance Data^{1,2}

Material Strength		Pull Out Strength Steel		Pull Over Strength Steel	
Tensile	2535 lbf / 11276 N	16 Ga (1.5mm)	705 lbf / 3140 N	26 Ga (0.5 mm)	936 lbf / 4164 N
Shear	1864 lbf / 8291 N	14 Ga (1.9 mm)	954 lbf / 4245 N	24 Ga (0.6 mm)	1235 lbf / 5494 N
Torsional	70 lbf-in / 7.9 N·m	12 Ga (2.7 mm)	1120 lbf / 4980 N		

¹ ETA-10/0198

² SFS 5625.19

Installation and Application Considerations

Fasteners should provide for a minimum of 3 fully developed threads through the metal substrates.

Tools: 0–2000 rpm screw gun equipped with depth sensing nose piece

Use of impact guns or hammer drills is not recommended.