

SFS



tightlapper[®]

One solution for the entire building envelope

One fastener

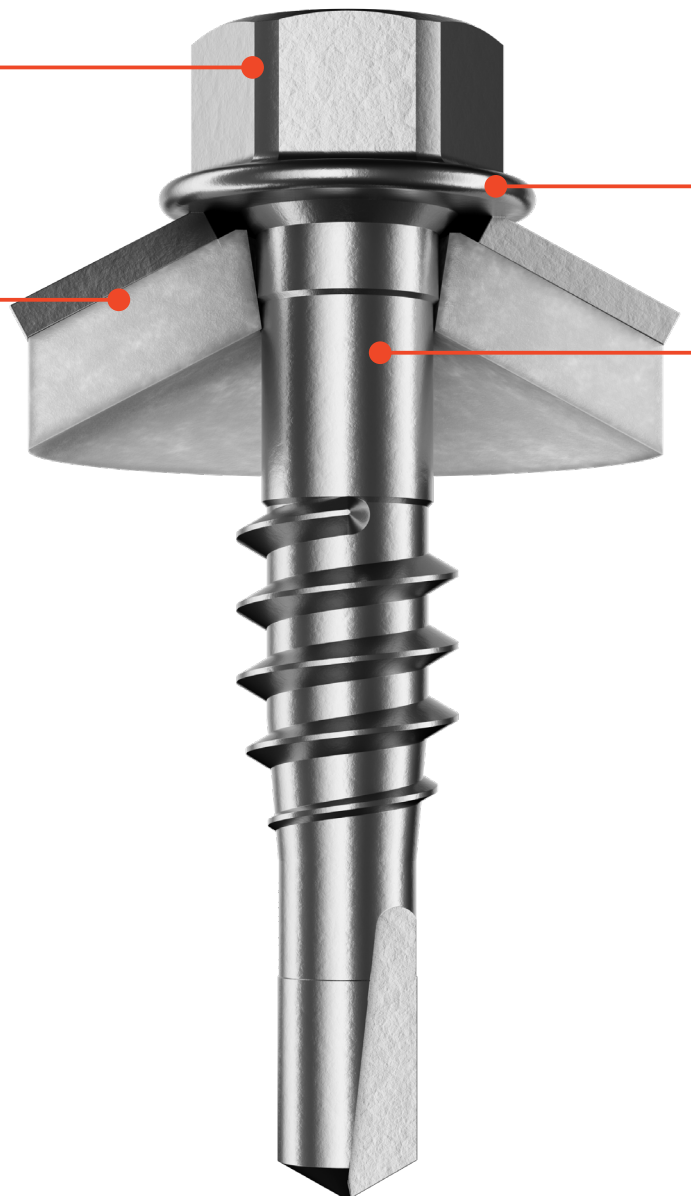
Numerous applications

With the new AV-Shaped® sealing washer, different applications can be performed with the same fastener. This simplifies handling on the construction site, reduces potential sources of error during use and protects stock management over the long term.

Different head shapes
Can be painted in all colors

AV-Shaped® Ultra Soft EPDM sealing washer

- Large application area
- 100% waterproof
- Perfect adaptation to the surface



Subhead cone
For maximum waterproofness

Large non-threaded area

- High flexibility thanks to large clamping range
- Vibrations and thermal expansion do not result in the fastener turning back

The new AV-Shaped[®] sealing washer

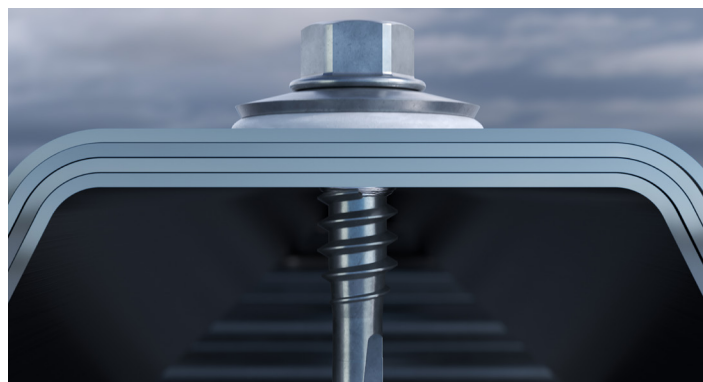
For various clamping ranges

The new AV-Shaped[®] sealing washer is extremely flexible and fully waterproof – impressive qualities. Thanks to its geometry and high-quality Ultra Soft EPDM, it covers a huge application area.

On a façade, you will often find different fasteners installed right next to each other. The reason for this is that the clamping ranges are different, so different fasteners have to be used. Thanks to the new AV-Shaped[®] sealing washer, the same fastener can be used for different applications. tightlapper[®] thus enable the design of your building envelope to be uniform and attractive.

It goes without saying that the fasteners can be painted in all conceivable colors. The AV-Shaped[®] sealing washer not only covers different clamping ranges, but also compensates for building tolerances without a problem whilst remaining 100% waterproof.

Different clamping ranges

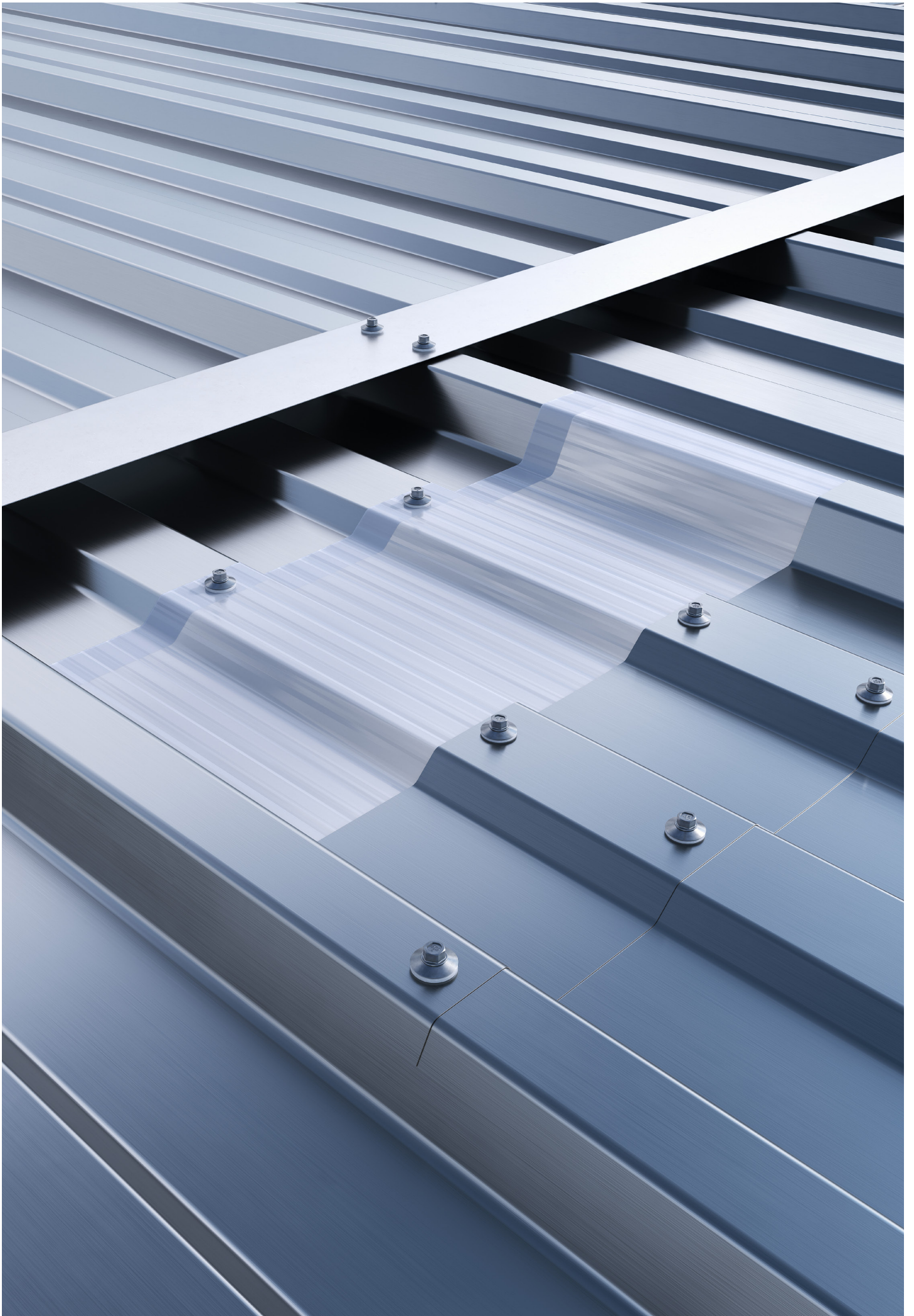


Compensates for building tolerances



Waterproofness





The range

The right drill tip


for every application

CXLW-4.8 With FastTip® for fast, chip-free installation

Fasteners in A2 onto steel and timber

Product code	CL _{lap}	CL _{timb}
CXLW-AV14-4,8×28-A2	0.80–3.50	0–23
CXLW-AV16-4,8×28-A2		
CXLW-D10-A11-4,8×28-A2	0.80–2.50	

Fasteners in A4 onto steel and timber


Product code	CL _{lap}	CL _{timb}	
CXLW-AV14-4,8×28-A4	0.80–3.50	0–23	
CXLW-AV16-4,8×28-A4			
CXLW-D10-A11-4,8×28-A4	0.80–2.50		

SXL2-6.3 With excellent drilling capacity for multiple overlaps

Fasteners in A2 onto steel and aluminum

Product code	CL _{lap}
SXL2-AV14-6.3×26-A2	0.80–3.50
SXL2-AV16-6.3×26-A2	
SXL2-AV19-6.3×28-A2	3.0–6.50

Fasteners in A4 onto steel and aluminum

Product code	CL _{lap}	
SXL2-AV14-6.3×26-A4	0.80–3.50	
SXL2-AV16-6.3×26-A4		
SXL2-L12-AV14-6.3×26-A4		
SXL2-AV19-6.3×28-A4	3.0–6.50	

